

Ophtalmic Unit
type-830

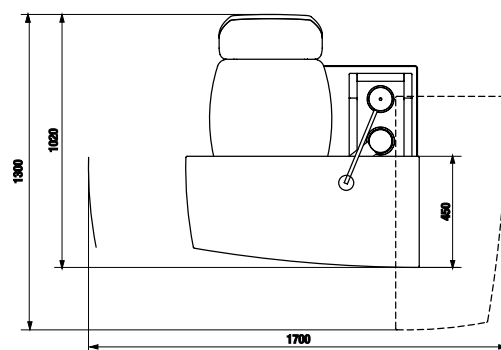
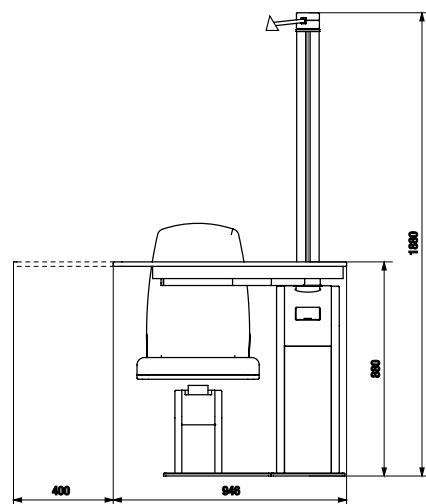


TYPE-830

eSKa

Specyfification

Height to table top	880 mm
Width of floor base	613mm
Length of floor base	736 mm
Dimensions of table top	410x 925 mm
Angle of table top arm rotation	90 deg
Loading capacity	50 kg
Halogen lamp on the column	35 W
Lampa halogenowa na maszcie	2 x 20 W
Weight (including chair)	180 kg
Voltage(standard)	230V / 50 Hz
Max. power consumption	600 V A

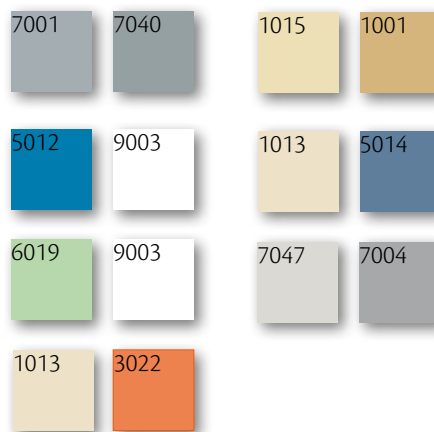


Accessories

- chin rest adapter extensible – mounted to the table top
- chin rest adapter extensible – mounted to the frame
- chin rest adapter fixed
- cable carrier 230V
- chart projector shelf
- chart projector holder
- cushion for children (for chair)

dominating colours for units

(according to RAL standard)



eSKa
eSKa

F.P.H.U **eSKa** Słaboń Sławomir
42-421 Włodowice, Rzędkowice ul. Jurajska 35
+48 34 31 53 014
office@eskaopto.eu

www.eskaopto.eu